

HYDRO-120-EM Emergency LED Batten



Description

The HYDRO LED Weatherproof Batten series is a direct replacement to traditional T8 and T5 Fluorescent battens. Custom designed to colour match concrete ceilings, and incorporating a "quick fix" solution to allow for ease and speed of installation. Constructed from high-quality and high impact resistant polycarbonate, with a high transparency frosted polycarbonate diffuser. Available in 600mm and 1200mm lengths, as well as Tricolour switchable: choose between Warm White 3000K, Neutral White 4000K, or White 5000K colour temperatures with the flick of a dip switch. Suitable for domestic applications such as underground basements, garages, and outdoor areas. Also commercially for underground car parks. Now with TRIO, the added option of changing the colour temperature output of the batten with a dip switch at the back of the fitting. Choose between supplied grey plastic clips or attached Stainless Steel clips depending on your installation preference.

Specification Features

Input Voltage: 240V
 Power (W): 15-30W (Switchable)
 IP rating (IP): IP65
 LED type: SMD
 CCT: 3000K - 4000K - 5000K (Switchable)
 Lumens (lm): 15W
 CRI: ≥80
 Beam angle (°): 120°
 Dimmable: No
 Lifespan (hrs): 50,000hrs
 Installation: Surface mounted or suspended



Emergency Specification Features

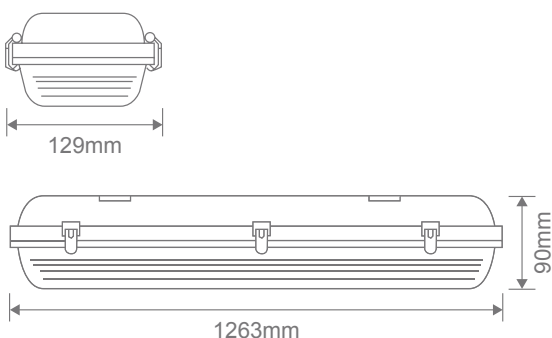
Compliance: Fully compliant to AS/NZS 2293 standards
 Battery: LiFePO4 battery type, 6.4V, 7 Hour Charging Time, 1.5 Hours Discharging Time
 Battery Capacity: 1500 mAh at 0.2 CmA
 Emergency: Non Maintained / Maintained
 Rated Duration: 120 Min
 Classification: C0: D50, C90: D32

ESCAPE
Emergency Systems

Item No.	Variant			CCT
	Non-Dim	On/Off Sensor*	Dim Sensor*	
HYDRO-120-EM	66021	66022	66023	TRIO
SENSOR-INT-01-REM	N/A	66090	66091	N/A

*Remote Control Required

Diagrams / Additional



Internal ON/Off Sensor

Dimmable Sensor